

HEXA-VAULT-FIBRE FIT

Product Classification

The HEXA-VAULT is a modular underground vault with a hybrid solution and multiple cover configurations. It applies to utility networks such as power and fibre for their outside plant (OSP) infrastructure build. The HEXA-VAULT extends vertically to accommodate road surface and pavement upgrades. Moreover, the HEXA-VAULT is flat packed, allowing easy storage and transportation. With this innovative technology, your installation helps reduce any OSP network's carbon footprint.

Regional Availability	Europe Middle East and Africa (EMEA) North America
Product Type	Single-ended Rectangular hexagon vault.
Product Brand	HEXA-VAULT™
Product Series	Underground chamber / vault
IP Rating	54

Chamber Components

- Lid Composite, Non-Metallic
- Panels Engineered PP
- Secure Locking
- Loading Class **USA:** Tier 15, 22 and HS20 Load
EN124: A15 - 15kN B125 - 125kN C250 - 250kN D400 - 400kN
AS3996-2006: Class A-10kN : B-80kN : C -150kN : D-210kN : E-400kN

Assembly Sizes Assembly Weight

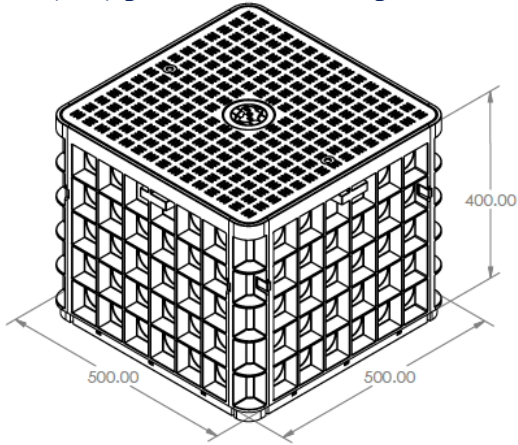
- 500 x 500mm (20" x 20") 19kg (43lbs)
- 500 x 750mm (20" x 30") 26kg (58lbs)

HEXA-VAULT

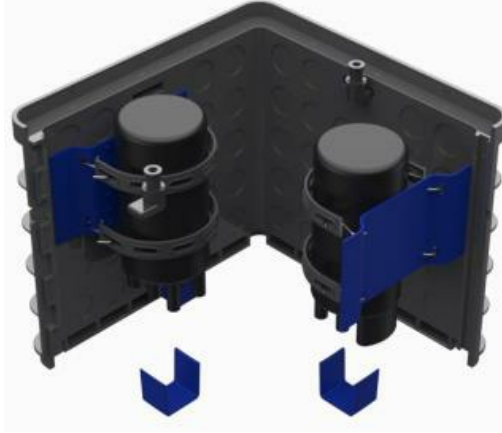
HEXA-500FF

500x500mm (20"x20")

4 x 400mm (16") panels, 4 x corner panels



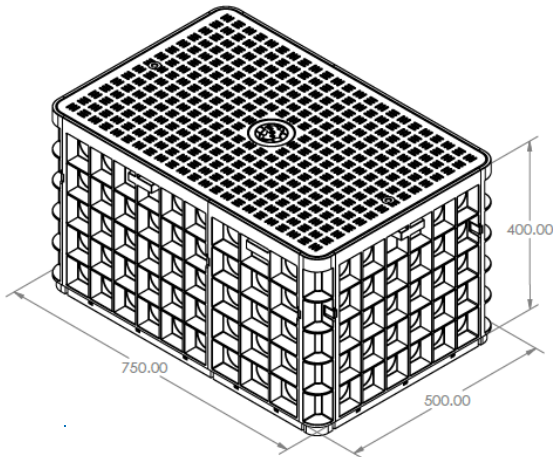
2 x OMNIA-288 Fibre Enclosure



HEXA-750FF

500x750mm (20"x30")

4 x 400mm (16") panels, 2 x 250mm (10") panels
4 x corner panels



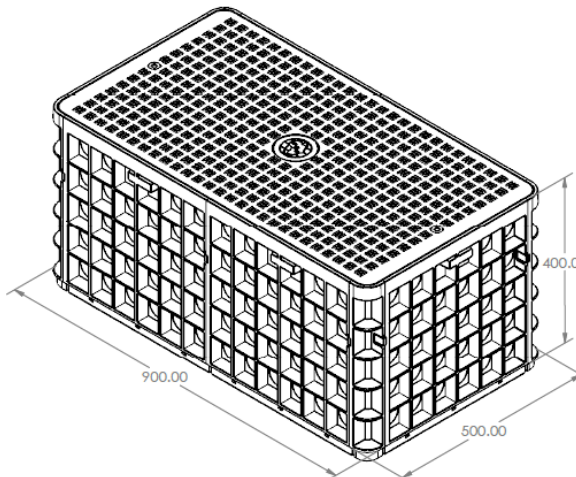
3 x OMNIA-288 Fibre Enclosure



HEXA-900FF

500x900mm (20"x36")

6 x 400mm (16") panels, 4 x corner panels



6 x OMNIA-288 Fibre Enclosure

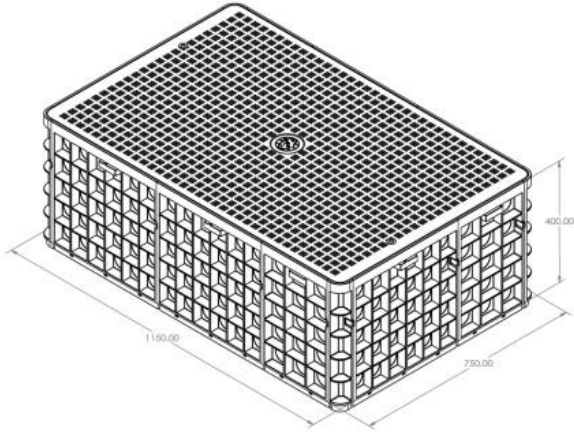


HEXA-VAULT-FIBRE FIT

HEXA-1100FF

750 x 1150 mm
6 x 400mm (16") panels,
2 x 250mm (10") panels,
4 x corner panels

2 x OMNIA-288 Fibre Enclosure



For incremental depth, add 100 mm Extension Panels

