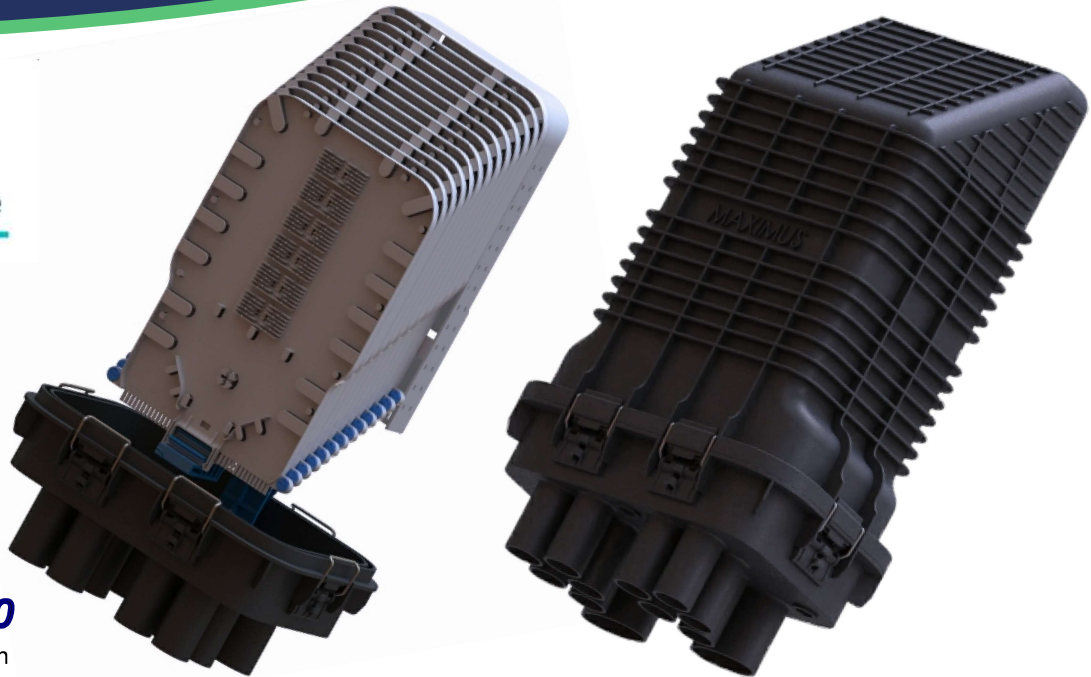




Label on a Cable



## Maximus-800

Product Classification

Introducing the **Maximus-800** Fiber Splice Enclosure - a visionary solution designed exclusively for the discerning and sophisticated splicer of today. Immerse yourself in its empowering features that seamlessly merge cutting-edge technology and lightning-fast splicing management within a single housing.

Prepare to be captivated by this must-have, eco-friendly enclosure that surpasses its closest competitor by reducing plastic usage by an astonishing 50 % or more. The Maximus sets the standard with its IP68 enclosure, rigorously tested to meet the stringent IEC 60529 standards. Experience the epitome of convenience as you achieve rapid splicing with minimal effort.

No more complications for the intelligent splicer, embrace this extraordinary innovation in splicing technology. Allow the Maximus to become your trusted companion, enabling you to effortlessly navigate the realm of splicing with finesse and ease. This is an opportunity you won't want to miss.

Regional Availability Europe Middle East and Africa (EMEA) | North America

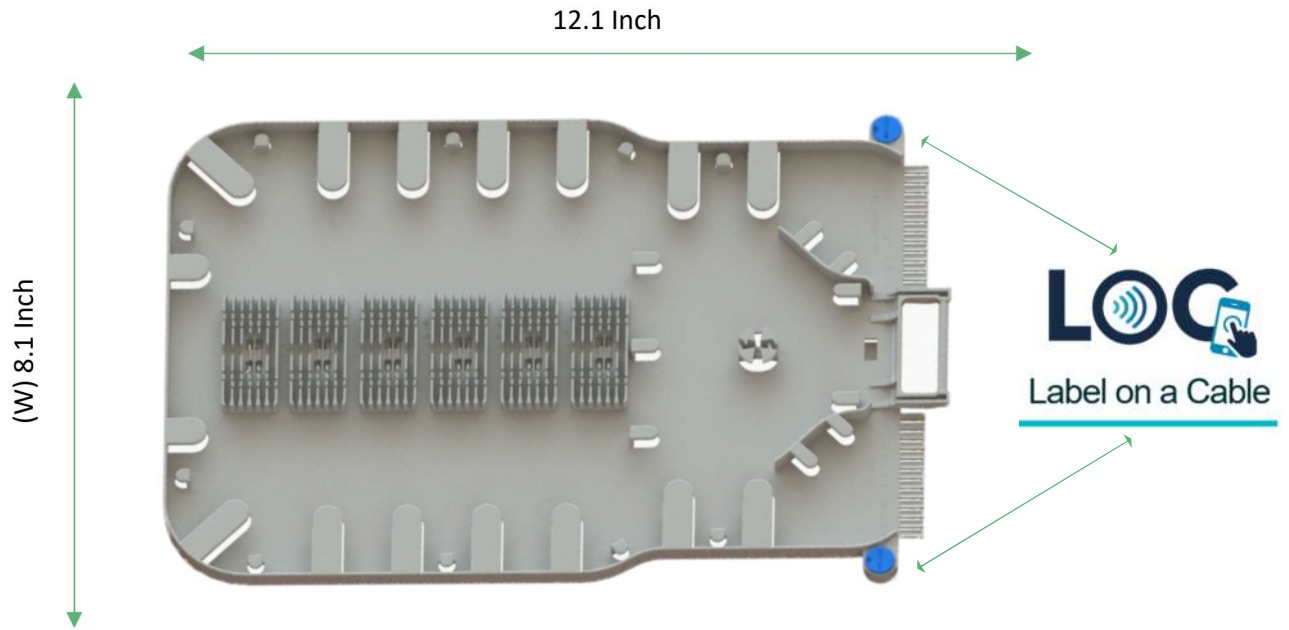
Product Type Single-ended Rectangular Fibre Closure

Product Brand Maximus™

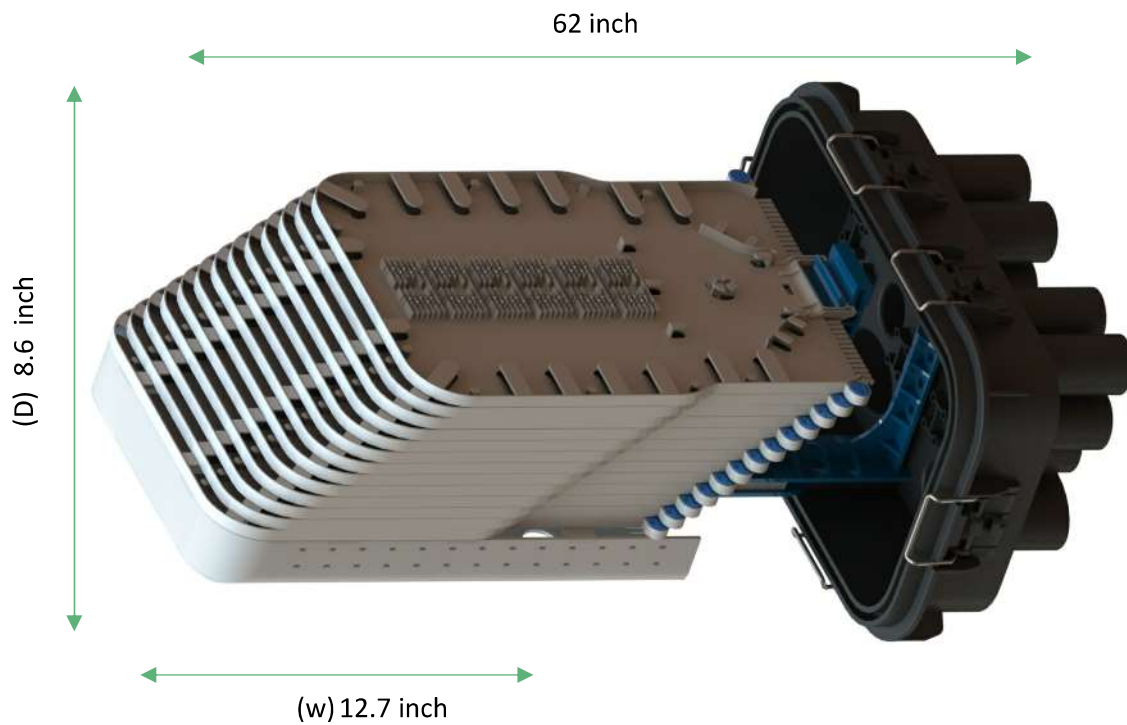
Product Series Maximus-800

### General Specifications

Dimensions (Inch)	L x 62 D x 8.6 W x 12.7
Cable Entry	Oval port and round port style mechanical seal
Loop Through	Uncut and mid span access
Cable Ports	9 Round and 2 oval Port
Closure Sealing Type	Four Sided latch Clamp Compressed mechanical seal
Closure Style	Single-ended rectangular dome and base
Colour	Black
Mounting	Wall mount   MOBRA mount   POLE mount
Network Area Type	Core   Distribution   Drop
Splice Tray Included	12
Splice Tray Type Included	72-way Heat shrink   Dual load loose tube & ribbon fibre
Splices per Tray	72 and 12 Ribbon Splices (144)
Splicing Capacity	Single fusion, maximum 864F and ribbon 1728F
Splicing Type	Supported single fusion
PLC Splitter	24 x 8 Way   12 x 32 Way   6 x 64 Way
Adaptor Plate	24 x SC
IOT	LOC (Label on Cable) NFC asset management software platform



Cable Size mm	OMNIA Port Type	Seal Type	Max Capacity	Product Code
1.5 - 3.8	Round Port	16 Way Round	16 Cables	MR-16SK
3.8 - 6.5	Round Port	8 Way Round	8 Cables	MR-8SK
6.5 - 9	Round Port	4 Way Round	4 Cables	MR-4SK
6.5 - 7.2	Round Port	6 Way Round	6 Cables	MR-6SK
9 - 15	Round Port	1 Way Round	1 Cables	MR-1SK
1.5 - 8	Oval Port	8 Way Grommet	8 Cables	OM-8SK
4 - 8	Oval Port	2 Way Grommet	2 Cables	OM-4SK
4 - 8	Oval Port	10 Way Grommet	10 Cables	OM-4+2SK
8 - 12.5	Oval Port	2 Way Grommet	2 Cables	OM-12SK
15 - 20	Oval Port	1 Way Grommet	2 Cables	OM-20SK



Cable Size inch	OMNIA Port Type	Seal Type	Max Capacity	Product Code
0.06 – 0.15	Round Port	16 Way Round	16 Cables	MR-16SK
0.15 – 0.25	Round Port	8 Way Round	8 Cables	MR-8SK
0.25 – 0.35	Round Port	4 Way Round	4 Cables	MR-4SK
0.25 – 0.28	Round Port	6 Way Round	6 Cables	MR-6SK
0.35 – 0.6	Round Port	1 Way Round	1 Cables	MR-1SK
0.06 – 0.16	Oval Port	8 way Grommet	8 Cables	OM-8SK
0.16 – 0.31	Oval Port	2 way Grommet	2 Cables	OM-4SK
0.16 – 0.31	Oval Port	10 way Grommet	10 Cables	OM-4+2SK
0.31 – 0.5	Oval Port	2 way Grommet	2 Cables	OM-12SK
0.5 – 0.78	Oval Port	1 way Grommet	2 Cables	OM-20SK