



OMNIA-144

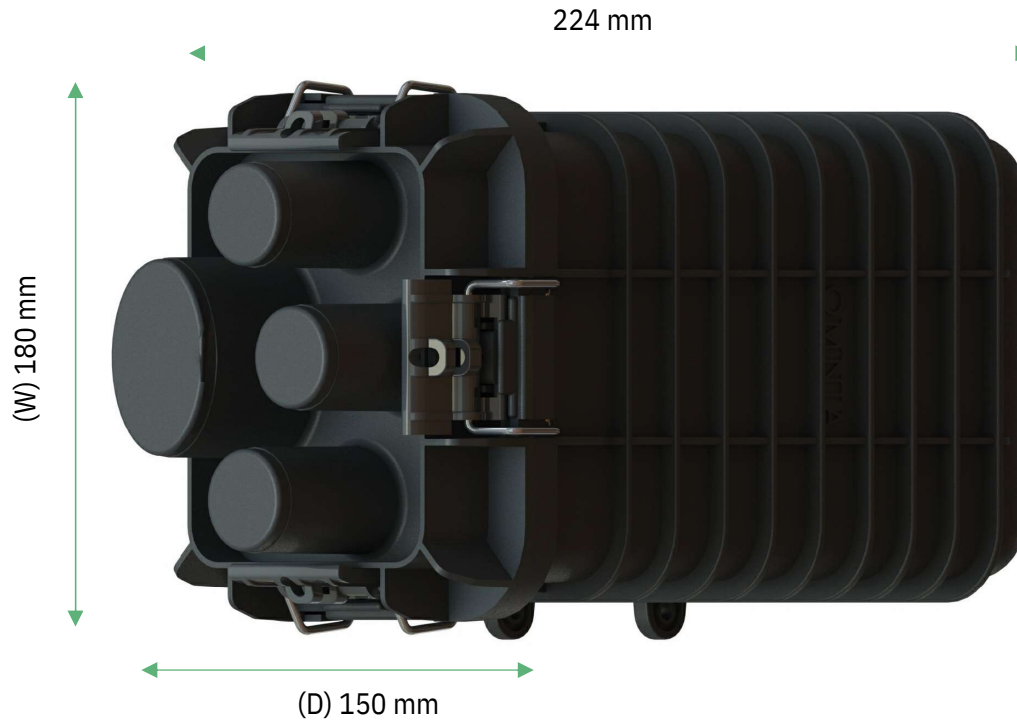
Product Classification

The OMNIA-144 is an environmentally friendly IP68 sealed closure typically used for fibreoptic cable distribution in FTTX Networks. This generic closure furnishes fibresplicing, fibrestorage and passive components integration in all fibreapplications—an all-encompassing integration of FTTX networks. The OMNIA-288 has a minimal and environmentally sustainable compact design for modern fibreoptic deployments.

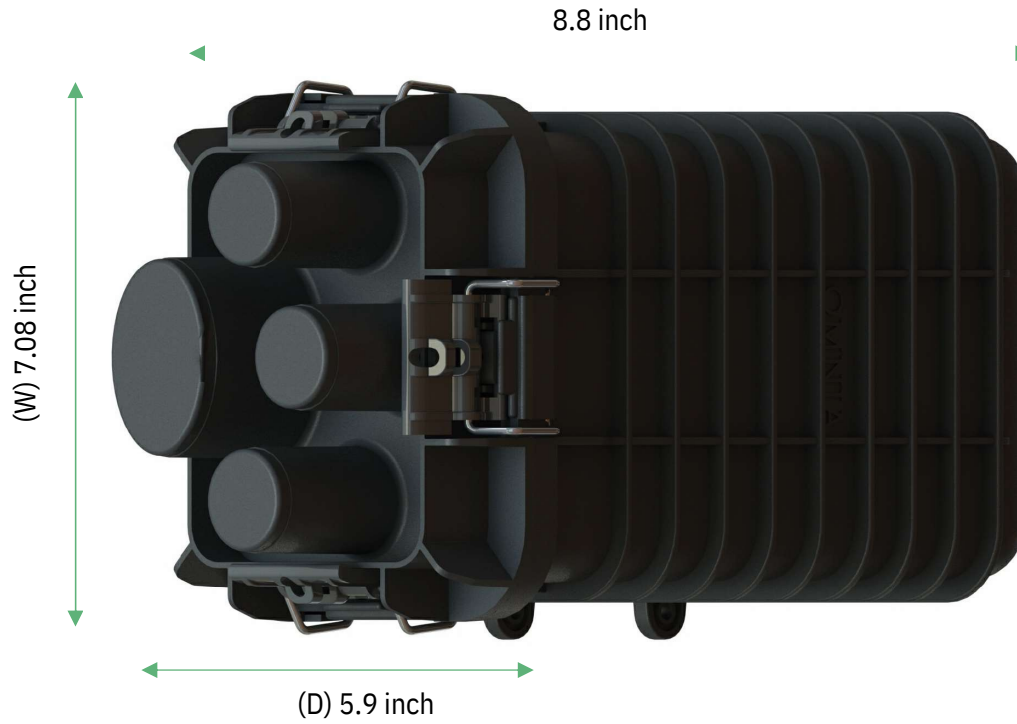
Regional Availability	Europe Middle East and Africa (EMEA) North America
Product Type Single-ended	Rectangular FibreClosure
Product Brand	OMNIA™
Product Series	OMNIA-144

General Specifications

Cable Entry	Oval port and round port style mechanical seal
Loop Through	Uncut and mid span access
Cable Ports	3 Round and 1 oval Port
Cable Sealing Type	Compressed mechanical seal
Closure Sealing Type	Four Sidedlatch Clamp
Closure Style	Single-ended rectangular dome and base
Co lo ur	Black
Mounting	Wall mount MOBRA mount POLE mount
Network Area Type	Core Distribution Drop
Splice Tray Included	6
Splice Tray Type	24-way Heat shrink Dual load loose tube & ribbon fibre
Included Splices per Tray	24 and 4 Ribbon Splices
Splicing Capacity	Single fusion, maximum 144F and ribbon 288F
Splicing Type	Supported single fusion
PLC Splitter	24 x 8 Way 12 x 32 Way 6 x 64 Way
Adaptor Plate	6 x SC
IOT	LOC (LableOn Cable) NFC asset management software platform



Cable Size mm	OMNIA Port Type	Seal Type	Max Capacity	Product Code
1.5 -3.8	Round Port	16 Way Round	16 Cables	MR-16SK
3.8 -6.5	Round Port	8 Way Round	8 Cables	MR-8SK
6.5 -9	Round Port	4 Way Round	4 Cables	MR-4SK
6.5 -7.2	Round Port	6 Way Round	6 Cables	MR-6SK
9 -15	Round Port	1 Way Round	1 Cables	MR-1SK
1.5 -8	Oval Port	8 Way Grommet	8 Cables	OM-8SK
4 -8	Oval Port	2 Way Grommet	2 Cables	OM-4SK
4 -8	Oval Port	10 Way Grommet	10 Cables	OM-4+2SK
8 -12.5	Oval Port	2 Way Grommet	2 Cables	OM-12SK
15 -20	Oval Port	1 Way Grommet	2 Cables	OM-20SK



Cable Size mm	OMNIA Port Type	Seal Type	Max Capacity	Product Code
0.06 –0.15	Round Port	16 Way Round	16 Cables	MR-16SK
0.15 –0.25	Round Port	8 Way Round	8 Cables	MR-8SK
0.25 –0.35	Round Port	4 Way Round	4 Cables	MR-4SK
0.25 –0.28	Round Port	6 Way Round	6 Cables	MR-6SK
0.35 –0.6	Round Port	1 Way Round	1 Cables	MR-1SK
0.06 –0.16	Oval Port	8 wayGrommet	8 Cables	OM-8SK
0.16 –0.31	Oval Port	2 wayGrommet	2 Cables	OM-4SK
0.16 –0.31	Oval Port	10 wayGrommet	10 Cables	OM-4+2SK
0.31 –0.5	Oval Port	2 wayGrommet	2 Cables	OM-12SK
0.5 –0.78	Oval Port	1 way Grommet	2 Cables	OM-20SK